



Product Overview

Product Description:

A range of new roller motor options to complement our current Roller motorisation offer.

System Features and Benefits

- Child safe by design
- Suitable for both Roller and Mirage
- Ultra-thin motor head
- Type C charging port
- Soft stop and start feature
- Constant speed feature
- Multiple limit positions (max 6)
- Easy to understand and install
- Very quiet operation
- Multi-channel/grouping options available
- Competitive range of products

Technical Information - Recommended Size Parameters:

For MH051: 25mm Rechargeable motor (1.2Nm / 30rpm):

Min Width	520mm
Min Drop	200mm
Max Weight	3.5 Kg

Using 32mm tube:

Fabric Group	Width			Drop
	1000mm	1500mm	2000mm	
Up to 200g/m sq	4000mm	4000mm	4000mm	Drop
200>300g/m sq	4000mm	4000mm	4000mm	
300>425g/m sq	4000mm	4000mm	3000mm	
425>500 g/m sq	4000mm	3500mm	2500mm	



Using 40mm tube:

Fabric Group	Width					Drop
	500mm	1000mm	1500mm	2000mm	2500mm	
Up to 200g/m sq	4000mm	4000mm	4000mm	4000mm	4000mm	Drop
200>300g/m sq	4000mm	4000mm	4000mm	4000mm	3000mm	
300>425g/m sq	4000mm	4000mm	4000mm	3000mm	2000mm	
425>500 g/m sq	4000mm	4000mm	3500mm	2500mm	1500mm	





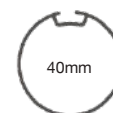
Technical Information - Recommended Size Parameters:

For MH052: 28mm Rechargeable motor (1.8Nm / 25rpm):

Min Width	650mm
Min Drop	200mm
Max Weight	5.5 Kg

Using 40mm tube:

Fabric Group	Width				Drop
	1000mm	1500mm	2000mm	2500mm	
Up to 200g/m sq	4000mm	4000mm	4000mm	4000mm	
200>300g/m sq	4000mm	4000mm	4000mm	4000mm	
300>425g/m sq	4000mm	4000mm	4000mm	3500mm	
425>500 g/m sq	4000mm	4000mm	4000mm	3000mm	



Measurement Information: Standard Roller

Recess Fit Width			
Blind Width	Recess size (mm) – 5mm	Blind Drop	Measured Drop (mm)
Tube size	Blind width – 30mm	Bottom bar	Tube size
Fabric Width	Tube size		
Fabric Drop	Blind Drop + 250mm (allow extra for scallop shapes as per normal)		

Face Fit			
Blind Width	Measured size (mm)	Blind Drop	Measured Drop
Tube size	Blind width – 30mm	Bottom bar	Tube size
Fabric Width	Tube size		
Fabric Drop	Blind Drop + 350mm (allow extra for scallop shapes as per normal)		



Measurement Information: Roller with Fascia

Recess Fit Width			
Blind Width	Recess size (mm) – 10mm	Blind Drop	Measured Drop (mm)
Fascia	Blind Width	Tube size	Fascia Width – 30mm
Bottom bar	Tube Size	Fabric Width	Tube size
Fabric Drop	Blind Drop + 250mm (allow extra for scallop shapes as per normal)		

Face Fit			
Blind Width	Measured size (mm)	Blind Drop	Measured Drop (mm)
Tube size	Blind Width - 10mm	Tube size	Fascia Width – 30mm
Fabric Width	Tube size	Fabric Width	Tube size
Fabric Drop	Blind Drop + 350mm (allow extra for scallop shapes as per normal)		

Power Specification:

Motor			
	Part Code	Capacity	Expected Battery Life*
25mm rechargeable motor (1.2Nm / 30rpm)	MH051	2600mAh	6 Months
28mm rechargeable motor (1.8Nm / 25rpm)	MH052	2600mAh	6 months

*Note: Based on an average sized blind operated once (up & down) per day.

It is recommended that lithium ion batteries are recharged fully at least once every 6 months to prolong the life expectancy of the battery.



Product Overview

Raise/Lower: This is done via handset (see programming instructions)
Grouping and multichannel options are available (see programming instructions)

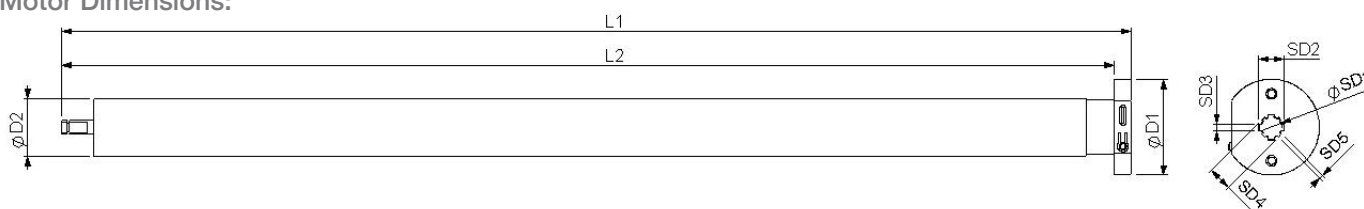
Grouping recommendations: We recommend a maximum of 5 motors grouped into one channel.

App Control: All motors are compatible with the Powershade Smart Controller, this gives the option of controlling all motors from your smart device.

Motorised Parts available from Eclipse:

Part Code	Description	Carton Qty
MH051	25mm Rechargeable Roller Motor	1
MH052	28mm Rechargeable Roller Motor	1
MH054	25mm Rechargeable Roller Motor [Bulk Pack]	45
MH061	25mm Motor C+D for RH307	1
MH062	25mm Motor C+D for RH131	1
MH063	28mm Motor C+D for RH131	1
MH070	Single Channel Remote	1
MH071	6 Channel Remote	1
MH072	16 Channel Remote	1
MH073	Charger (UK Plug)	1
MH074	5m Cable	1
MH076	Wall Switch - 6 Channel	1

Motor Dimensions:

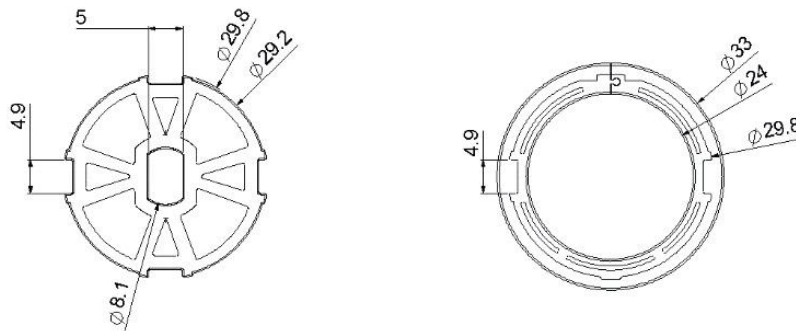


Motor	Lengths		Diameters		Slot Detail (Bracket Adaptor Slot)				
	L1	L2	D1	D2	SD1	SD2	SD3	SD4	SD5
MH051 – 25mm	447.4mm	440.4mm	40mm	24mm	8.7mm	10.7mm	2.8mm	10mm	1.7mm
MH052 – 28mm	572.4mm	565.4mm	40mm	28.7mm	8.7mm	10.7mm	2.8mm	10mm	1.7mm

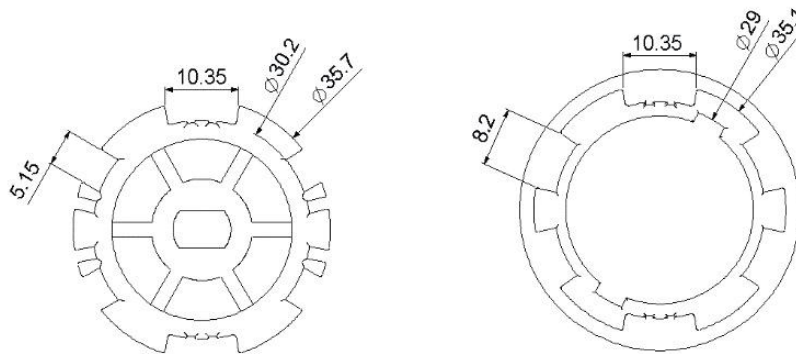


Crown & Drive Dimensions:

MH061 – For use with MH051 & 32mm Tube:



MH062 – For use with MH051 & 40mm Tube:



MH063 – For use with MH052 & 40mm Tube:

